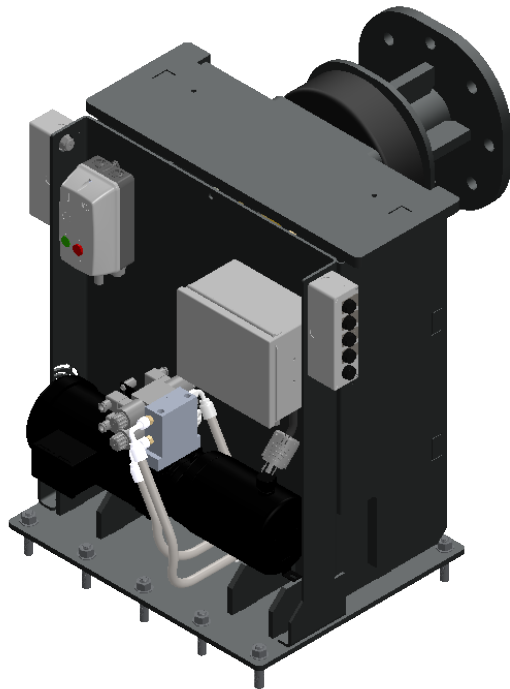
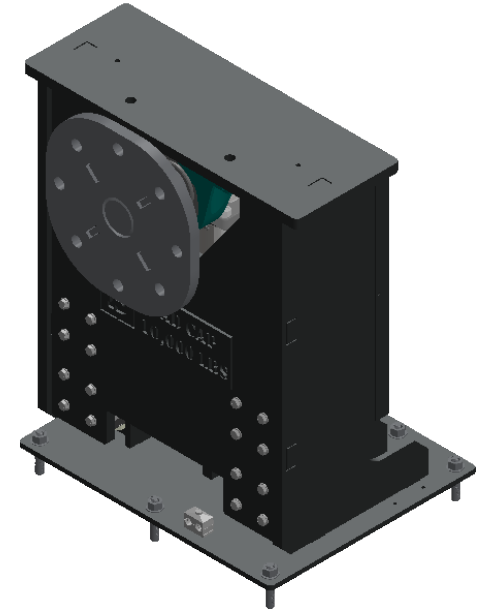


	Dual Support	Single Support (Cantilever)									
Distance From Attachment (CG) (IN)	0	6	12	18	24	30	36	42	48	54	60
LR5000 Allowable Load (LBS)	5000	5000	2500	1650	1250	1000	825	700	625	550	500
LR10000 Allowable Load (LBS)	10000	10000	5000	3333	2500	2000	1667	1429	1250	1111	1000

Assembly Powdercoated Black
 Rotary Ground Included on tailstock
 Hydraulic Clamping Optional



Weight(lb): 2450.6

THE INFORMATION CONTAINED IN THIS DRAWING IS THE SOLE PROPERTY OF BACKDRAFT MFG. ANY REPRODUCTION IN PART OR AS A WHOLE WITHOUT WRITTEN PERMISSION IS PROHIBITED.



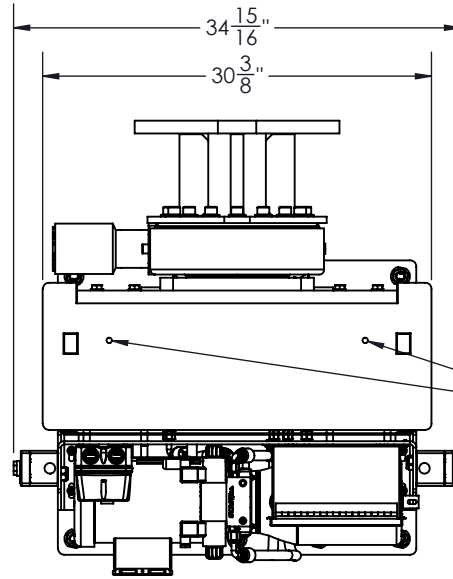
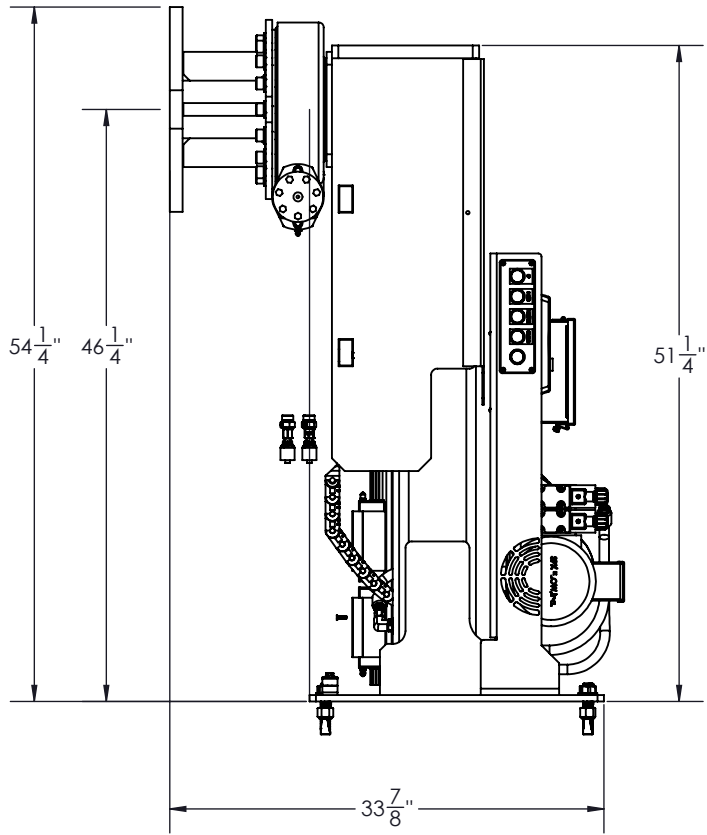
NAME DATE
 DRAWN TJL 11/16/2020

TITLE:
 Assembly, Lift and Rotate Dual Supports

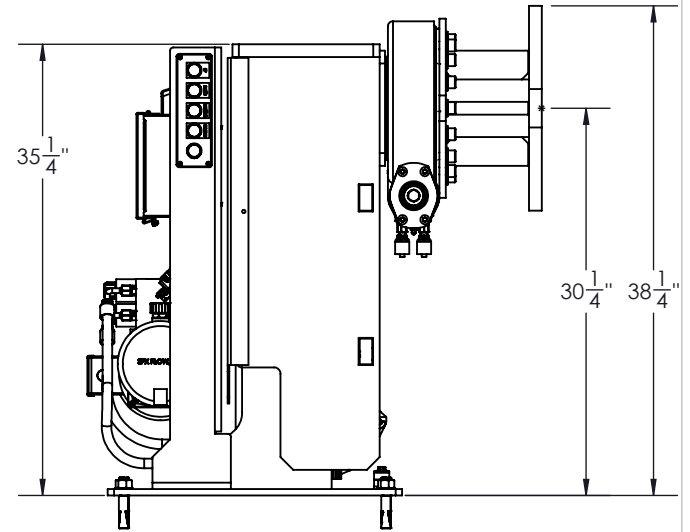
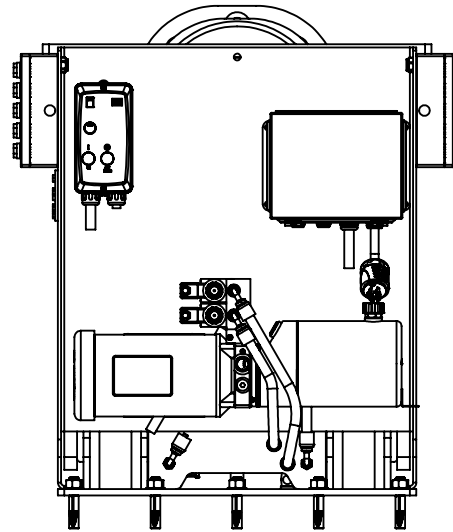
INTERPRET GEOMETRIC TOLERANCING PER: ASME Y14.5
 UNLESS OTHERWISE SPECIFIED: DIMENSIONS ARE IN INCHES
 TOLERANCES:
 FRACTIONAL ± 1/16
 ANGULAR: MACH ± .5 BEND ± .5
 TWO PLACE DECIMAL ± .035
 THREE PLACE DECIMAL ± .005

SIZE A LR10000 REV A

Saved: 12/2/2020 SCALE: 1:15 SHEET 1 OF 4



$\varnothing \frac{7}{16}$ " THRU ALL
1/2-13 UNC THRU ALL



Weight(lb): 2450.6

THE INFORMATION CONTAINED IN THIS DRAWING IS THE SOLE PROPERTY OF BACKDRAFT MFG. ANY REPRODUCTION IN PART OR AS A WHOLE WITHOUT WRITTEN PERMISSION IS PROHIBITED.



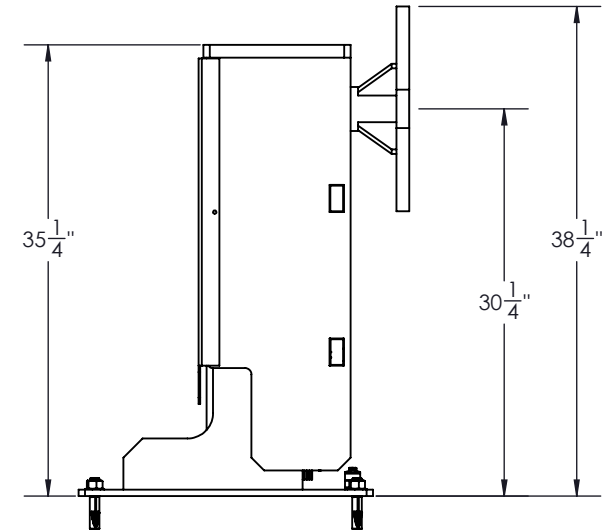
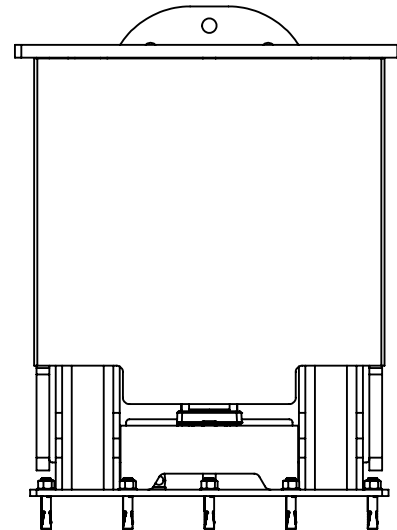
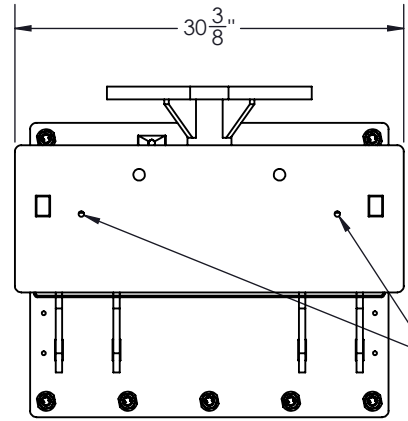
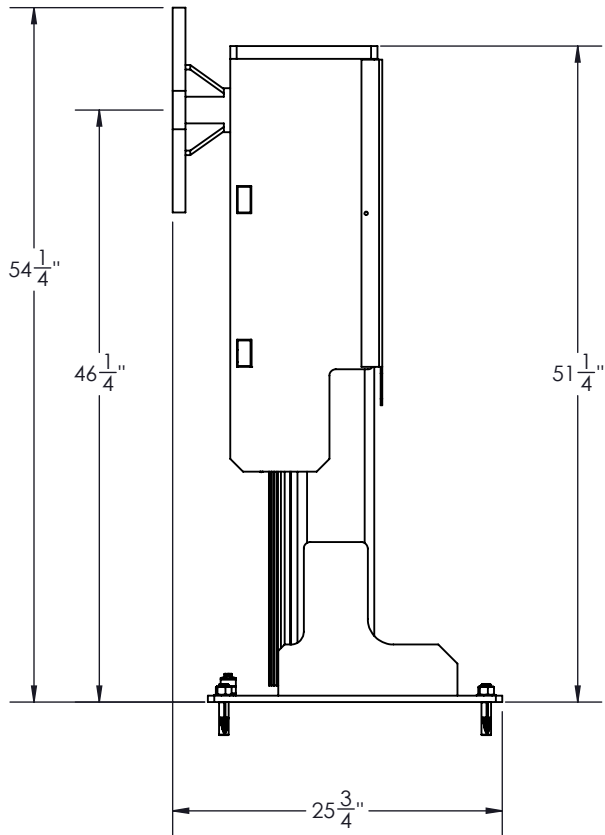
NAME	DATE
DRAWN TJL	11/16/2020

TITLE:
Assembly, Lift and Rotate Dual Supports

INTERPRET GEOMETRIC TOLERANCING PER: ASME Y14.5
UNLESS OTHERWISE SPECIFIED:
DIMENSIONS ARE IN INCHES
TOLERANCES:
FRACTIONAL $\pm 1/16$
ANGULAR: MACH $\pm .5$ BEND $\pm .5$
TWO PLACE DECIMAL $\pm .035$
THREE PLACE DECIMAL $\pm .005$

SIZE A	LR10000	REV A
------------------	---------	-----------------

Saved: 12/2/2020 SCALE: 1:15 SHEET 2 OF 4



Weight(lb): 2450.6

THE INFORMATION CONTAINED IN THIS DRAWING IS THE SOLE PROPERTY OF BACKDRAFT MFG. ANY REPRODUCTION IN PART OR AS A WHOLE WITHOUT WRITTEN PERMISSION IS PROHIBITED.

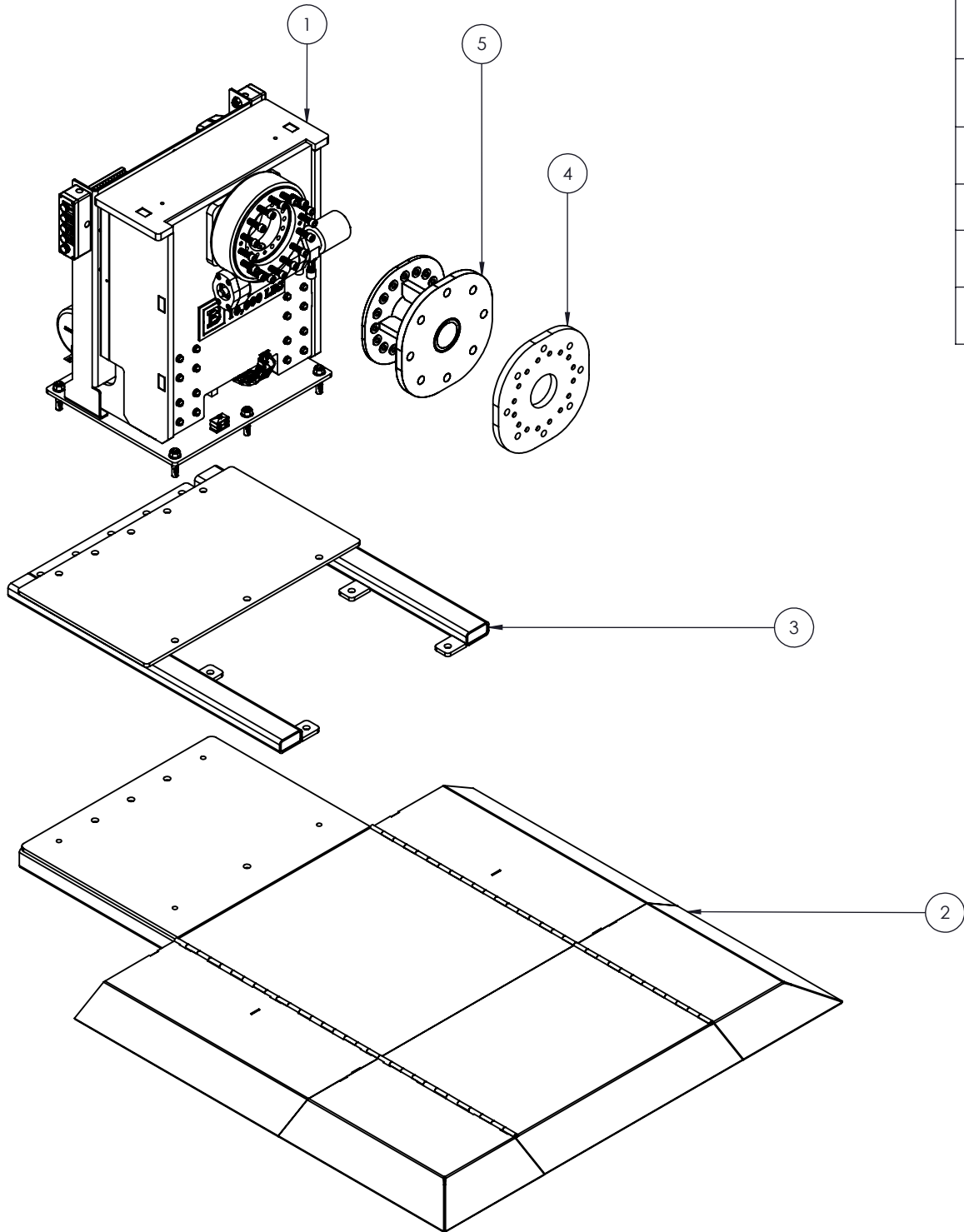


NAME	DATE
DRAWN TJL	11/16/2020

TITLE:
Assembly, Lift and Rotate Dual Supports

INTERPRET GEOMETRIC TOLERANCING PER: ASME Y14.5
UNLESS OTHERWISE SPECIFIED:
DIMENSIONS ARE IN INCHES
TOLERANCES:
FRACTIONAL $\pm 1/16$
ANGULAR: MACH $\pm .5$ BEND $\pm .5$
TWO PLACE DECIMAL $\pm .035$
THREE PLACE DECIMAL $\pm .005$

SIZE A	LR10000	REV A
Saved: 12/2/2020		SCALE: 1:15
		SHEET 3 OF 4



ITEM NO.	PART NUMBER	DESCRIPTION	Option
1	13400	Assembly, Lift and Rotate 10,000lb Headstock	LR10000-H__
2	13280	Free Standing Pedestal Assembly	LR10000-HF__
3	13300	Headstock Cantilever Base	LR10000-HC__
4	13012	Sheet, Zero Clearance Headstock Adapter	LR10000-H_0
5	13251	Assembly, 10000lb Headstock Spacer Mount	LR10000-H_1

Weight(lb): 2450.6

THE INFORMATION CONTAINED IN THIS DRAWING IS THE SOLE PROPERTY OF BACKDRAFT MFG. ANY REPRODUCTION IN PART OR AS A WHOLE WITHOUT WRITTEN PERMISSION IS PROHIBITED.



NAME DATE
DRAWN TJL 11/16/2020

TITLE:
Assembly, LR10000-H Options

INTERPRET GEOMETRIC TOLERANCING PER: ASME Y14.5

UNLESS OTHERWISE SPECIFIED:
DIMENSIONS ARE IN INCHES
TOLERANCES:
FRACTIONAL ± 1/16
ANGULAR: MACH ±.5 BEND ±.5
TWO PLACE DECIMAL ±.035
THREE PLACE DECIMAL ±.005

SIZE A	LR10000	REV A
------------------	---------	-----------------

Saved: 12/2/2020 SCALE: 1:20 SHEET 4 OF 4