



B BACKDRAFT MFG

Design Fabrication Automation

Two Capacity Levels

5000 lb

10000 lb

Two Positioner Types (Manual or Robot)

Rotate

Lift and Rotate

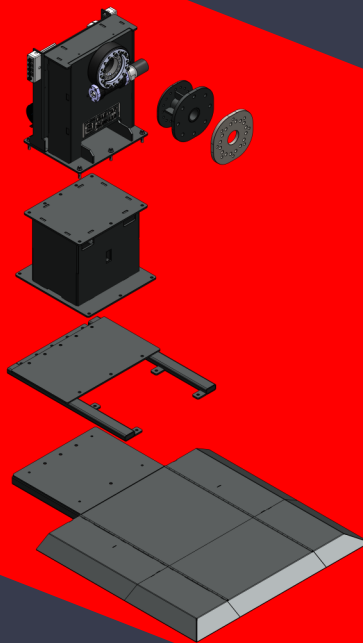
Options

Standard and custom options are available to fit your application

Fixture Positioners

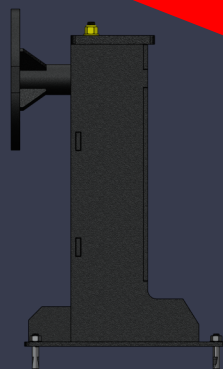
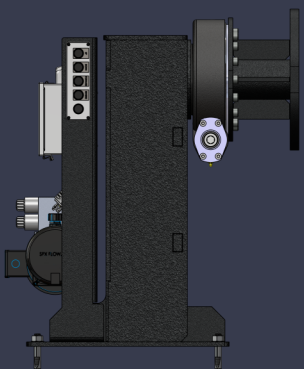


**Uncompromising
Compact Design
Highly Configurable**



Rotate

Standard Options :
Dual or Single Support
Off-Set Adapters
Low Clearance Adapters
Anchored & Cantilever Base
Freestanding Workstation
Rotating Ground Lead



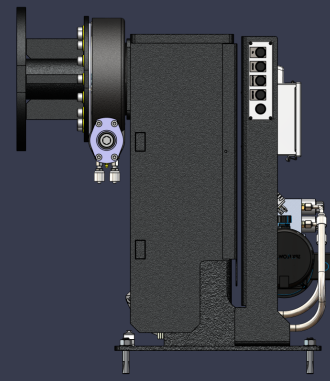
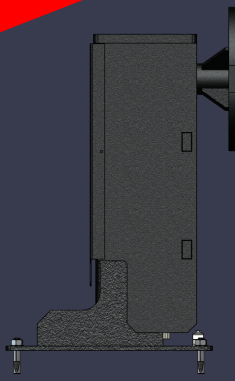
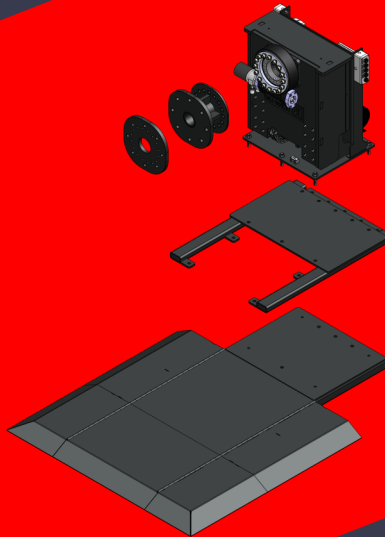


Lift and Rotate

Hydraulic Powered
16" of Vertical
Displacement

Custom Options :

- Hydraulic Clamping
- Engineered Fixturing
- Elevated Bases
- Robot Cell Integration



	Dual Support	Single Support (Cantilever)									
Distance From Attachment (CG) (IN)	0	6	12	18	24	30	36	42	48	54	60
LR5000 Allowable Load (LBS)	5000	5000	2500	1650	1250	1000	825	700	625	550	500
LR10000 Allowable Load (LBS)	10000	10000	5000	3333	2500	2000	1667	1429	1250	1111	1000

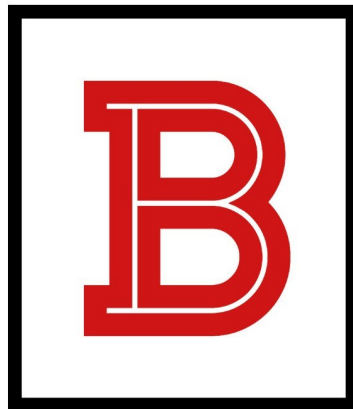
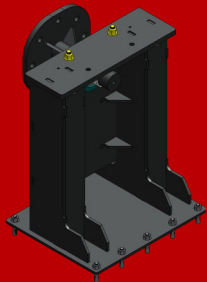
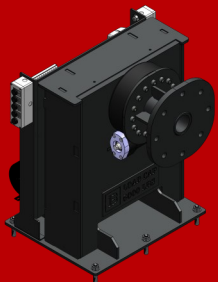


Cantilever LR10000
Starting at \$17,550

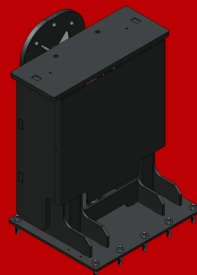
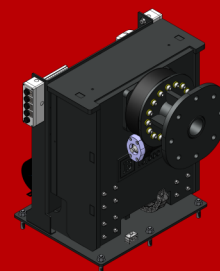
**Contact us today for a
 quote on your next
 positioner**

Load Chart

R5000
Starting At \$15,500



LR5000
Starting at \$22,850



419 1/2 West Gabrielson Road

Luverne, MN 56156

Phone: (507) 920-2036

Email: tyler@backdraftmfg.com

Check out our website at:

www.backdraftmfg.com